

Pilot operated pressure reducing valves series ZDR are designed for maximum flow rates.

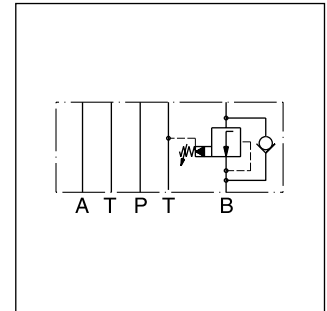
The reducing function can be located in the ports P, A or B. The sizes NG06 and NG10 are equipped with an integral return flow check valve (reducing function in A or B).

**Features**

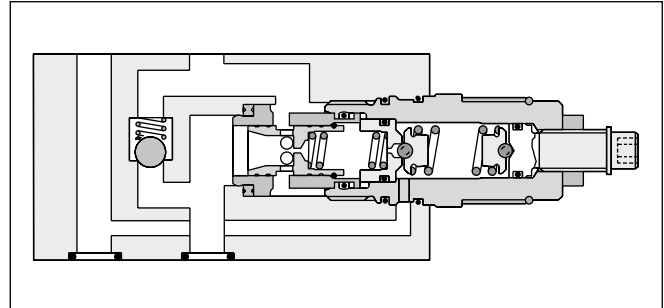
- High flow capacity
- Pressure function in P, A or B
- With integral return flow check valve
- Sizes:  
 ZDR01 - NG06 (CETOP 03)  
 ZDR02 - NG10 (CETOP 05)



ZDR-P01



ZDR-B02

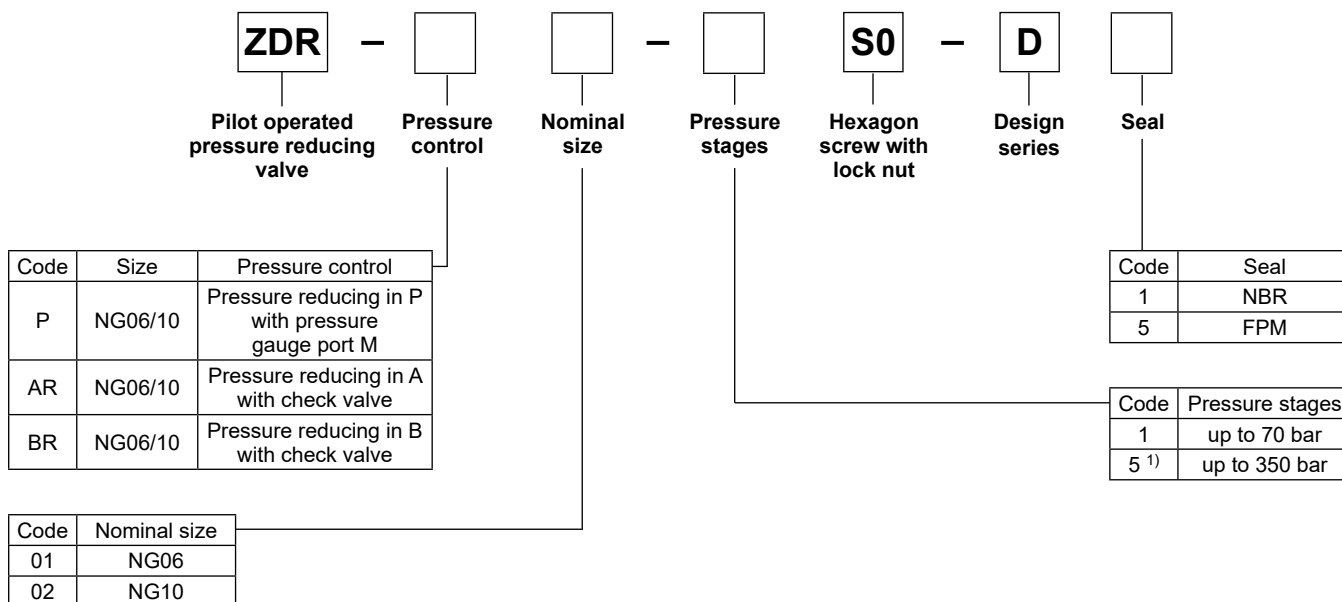


ZDR-B02

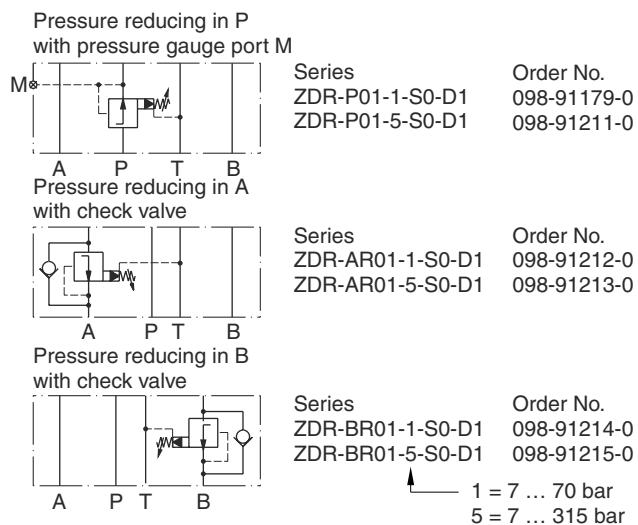
**Technical data**

| General                 |             |                              | NG06                                 | NG10                                  |
|-------------------------|-------------|------------------------------|--------------------------------------|---------------------------------------|
| Size                    |             |                              |                                      |                                       |
| Mounting interface      |             |                              | DIN 24340 A6<br>ISO 4401<br>NFPA D03 | DIN 24340 A10<br>ISO 4401<br>NFPA D05 |
|                         |             |                              | CETOP RP 121                         |                                       |
| Mounting position       |             |                              | unrestricted                         |                                       |
| Ambient temperature     |             | [°C]                         | -20...+60                            |                                       |
| MTTF <sub>D</sub> value |             | [years]                      | 150                                  |                                       |
| Weight                  | ZDR-P       | [kg]                         | 1.6                                  | 2.9                                   |
|                         | ZDR-AR / BR | [kg]                         | 1.8                                  | 3.0                                   |
| Hydraulic               |             |                              |                                      |                                       |
| Max. operating pressure |             | [bar]                        | 350 (ZDR-AR / BR 315)                | 315                                   |
| Nominal flow            |             | [l/min]                      | 80                                   | 120                                   |
| Pilot oil               |             | [l/min]                      | 0.3                                  | 0.3                                   |
| Fluid                   |             |                              | Hydraulic oil according to DIN 51524 |                                       |
| Fluid temperature       |             | [°C]                         | -20...+70 (NBR: -25...+70)           |                                       |
| Viscosity               | permitted   | [cSt] / [mm <sup>2</sup> /s] | 20 ... 400                           |                                       |
|                         | recommended | [cSt] / [mm <sup>2</sup> /s] | 30 ... 80                            |                                       |
| Filtration              |             |                              | ISO 4406 (1999); 18/16/13            |                                       |

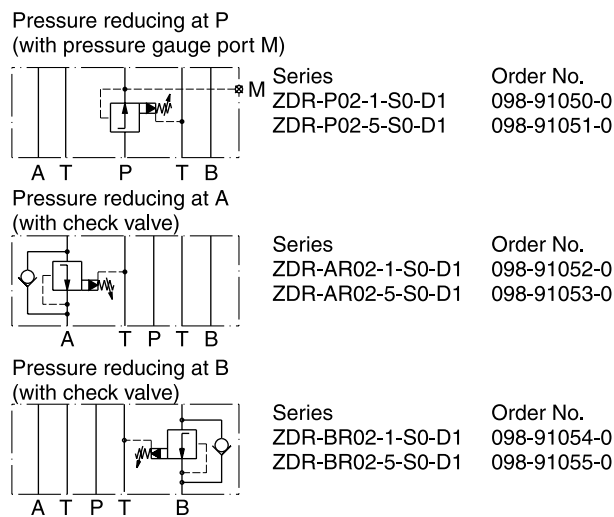
**Ordering code**



**7 Ordering Code Details  
 ZDR01**

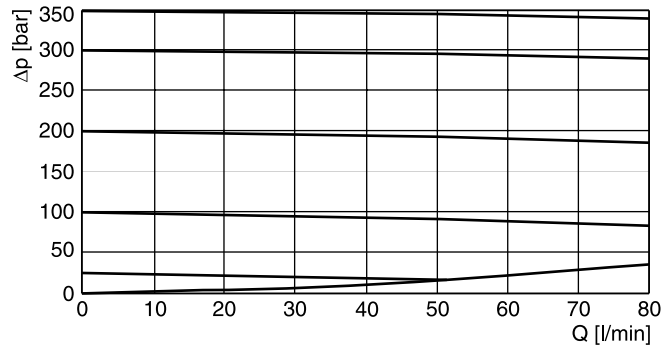


**ZDR02**

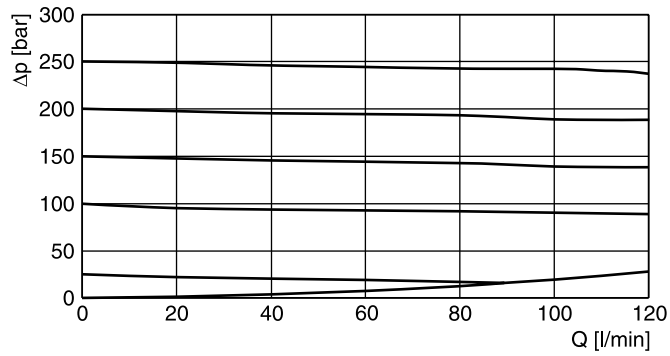


<sup>1)</sup> Code AR, BR and size 10 up to 315 bar.

**p/Q performance curves**  
**ZDR-P/AR/BR01**



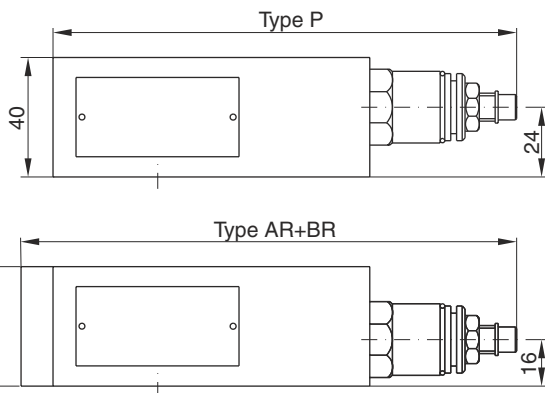
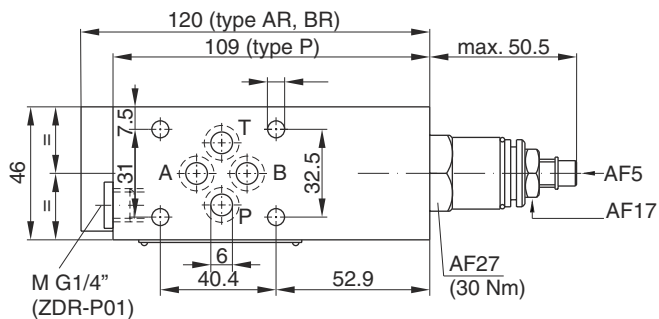
**ZDR-P/AR/BR02**



All characteristic curves measured with HLP46 at 50°C.

7

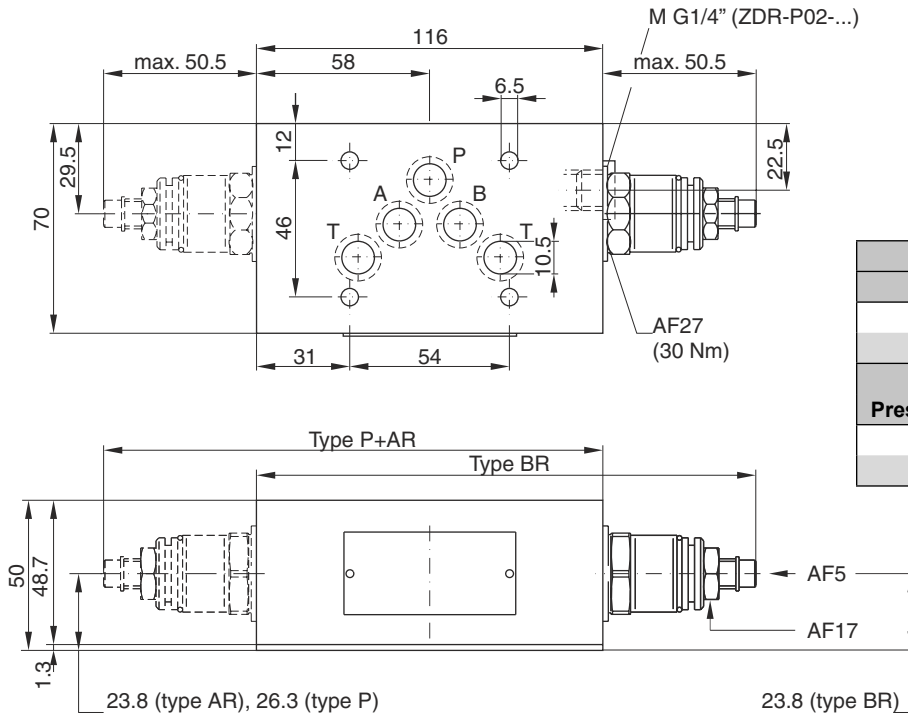
**ZDR01**



| Seal kit           |             |
|--------------------|-------------|
| Seal               | Order code  |
| 1                  | 098-91184-0 |
| 5                  | 098-91185-0 |
| Complete cartridge |             |
| Pressure stage     | Order code  |
| 1                  | 098-91102-0 |
| 5                  | 098-91103-0 |

**7**

**ZDR02**



| Seal kit           |             |
|--------------------|-------------|
| Seal               | Order code  |
| 1                  | 098-91082-0 |
| 5                  | 098-91083-0 |
| Complete cartridge |             |
| Pressure stage     | Order code  |
| 1                  | 098-91102-0 |
| 5                  | 098-91103-0 |

